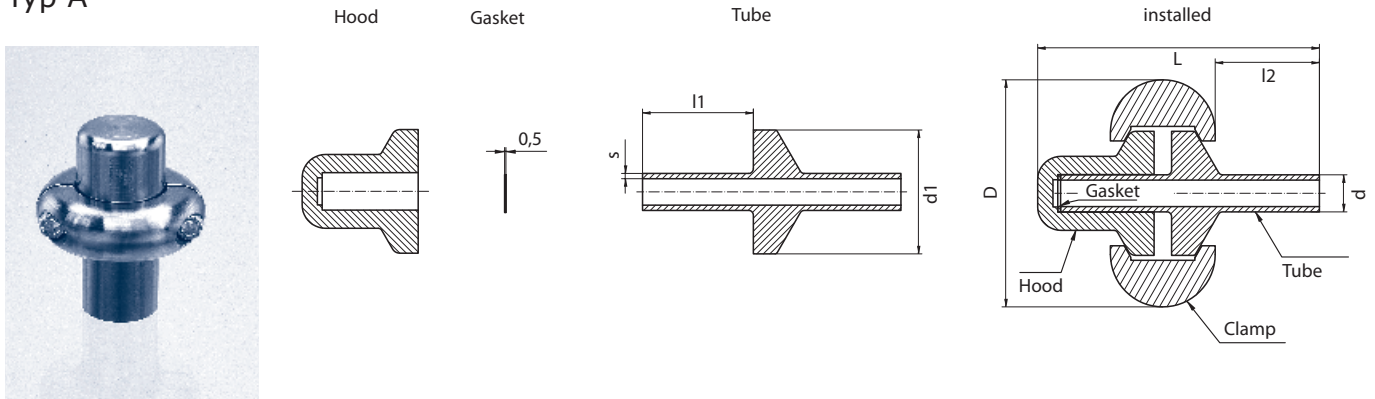


Typ A



Ultron	finetron	TCC	TCC 304L	safetron	weldtron	bpe-direct
•	•	•				
•	•	•				
•	•	•				
•	•	•				
•	•	•				
•	•	•				
•	•	•				
•	•	•				
•	•	•				

Typ A		IMPERIAL						
Inch	d mm	s mm	L mm	D mm	d1 mm	l1 mm	l2 mm	
1/4"	6.35	0.89	48.40	39.00	-	19.05	26.65	
1/2"	12.70	1.24	64.35	39.00	-	26.40	26.40	

Typ B		IMPERIAL						
Inch	d mm	s mm	L mm	D mm	d1 mm	l1 mm	l2 mm	
3/4"	19.05	1.24	67.30	37.05	27.05	26.00	26.00	
3/4"	19.05	1.65	67.30	37.05	27.05	26.00	26.00	
1"	25.40	1.65	68.30	43.40	33.40	26.00	26.00	
1 1/2"	38.10	1.65	77.30	57.90	46.90	30.00	30.00	
2"	50.80	1.65	109.30	70.60	59.60	45.00	45.00	
2 1/2"	63.50	1.65	110.30	83.30	72.30	45.00	45.00	
3"	76.20	1.65	111.30	96.00	85.00	45.00	45.00	
4"	101.60	2.11	132.30	121.40	110.40	55.00	55.00	
6"	152.40	2.77	134.30	172.20	161.20	55.00	55.00	

Typ B

